



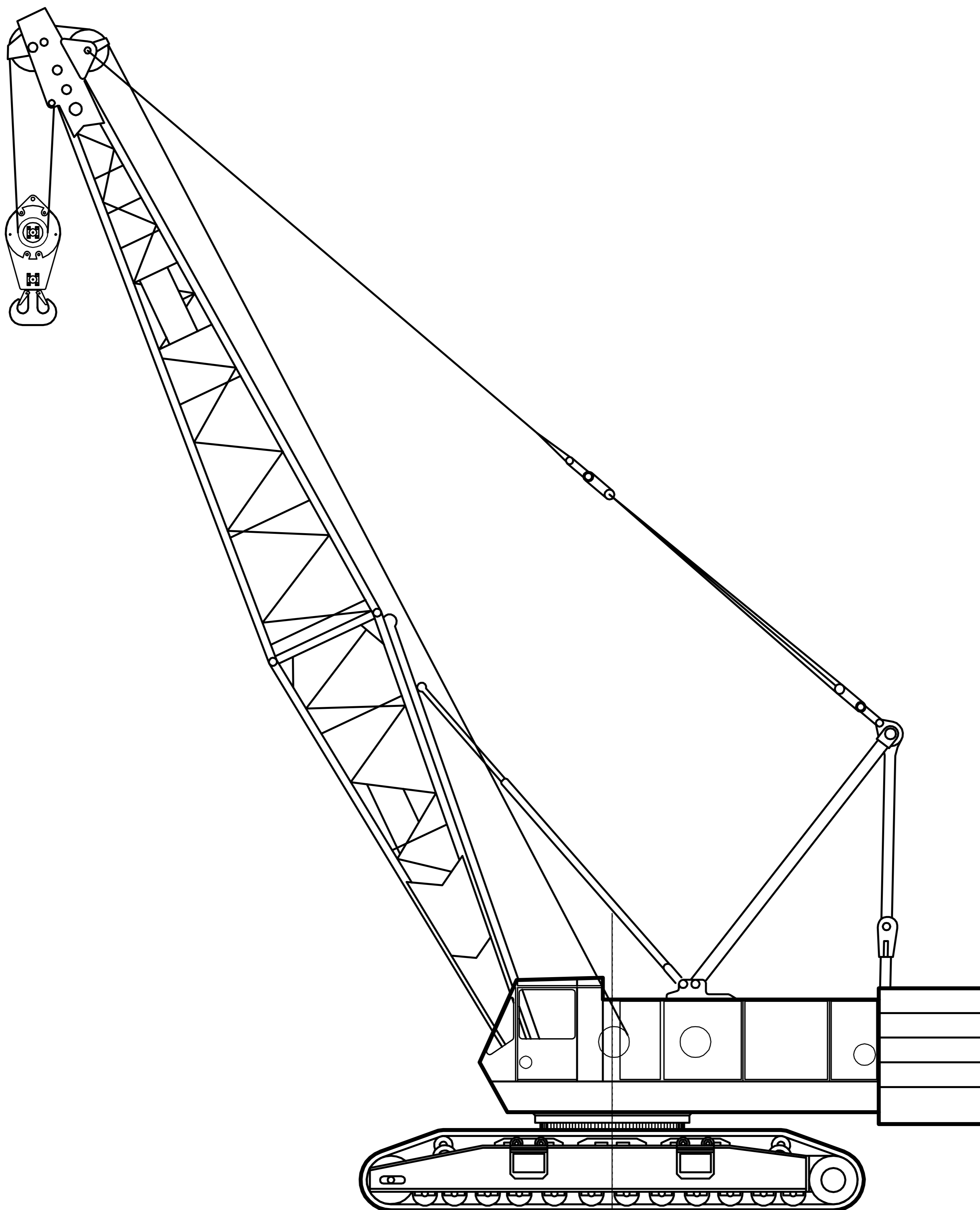
# KOBELCO 7150

## COMPREHENSIVE LIFTING SOLUTIONS

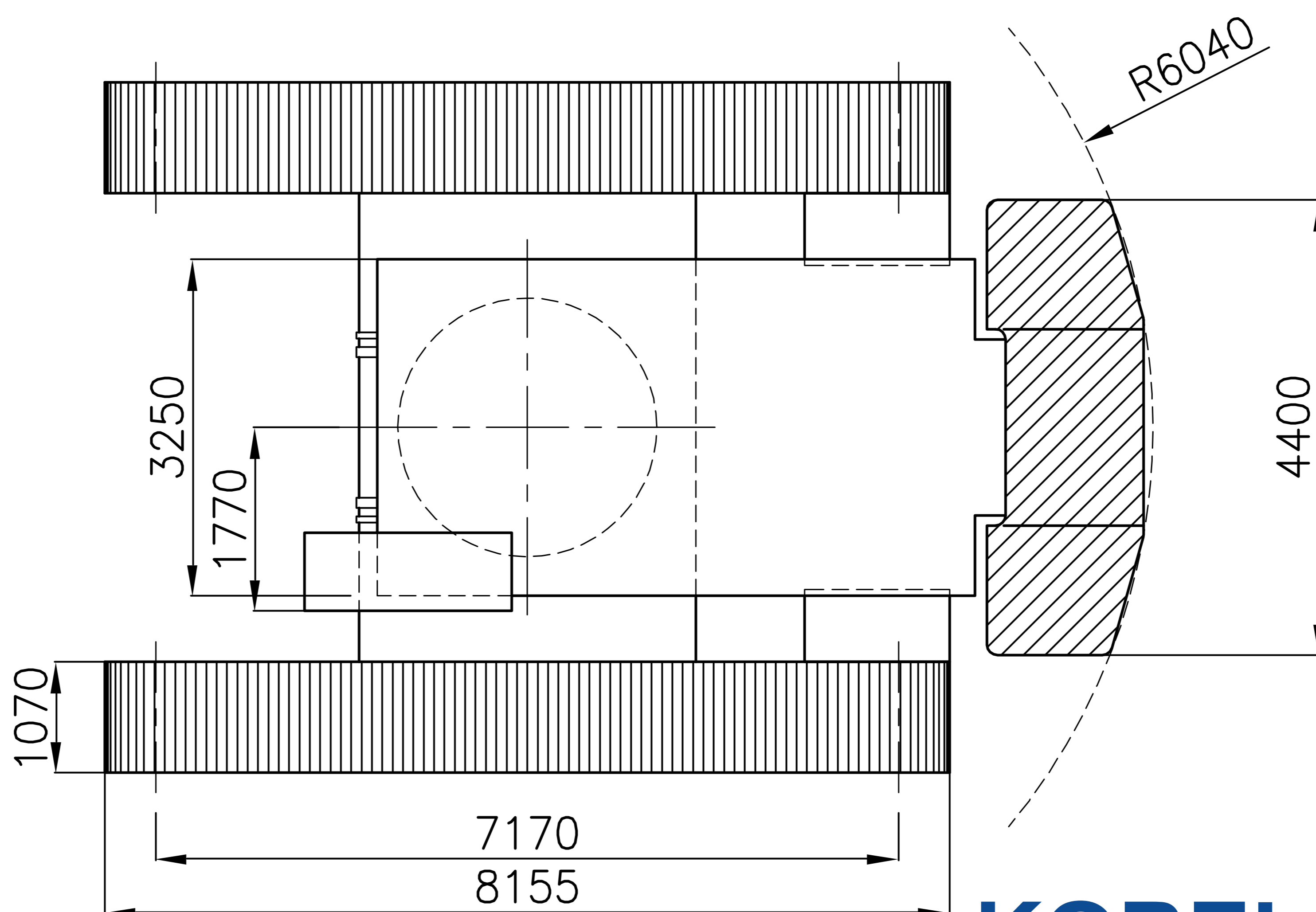
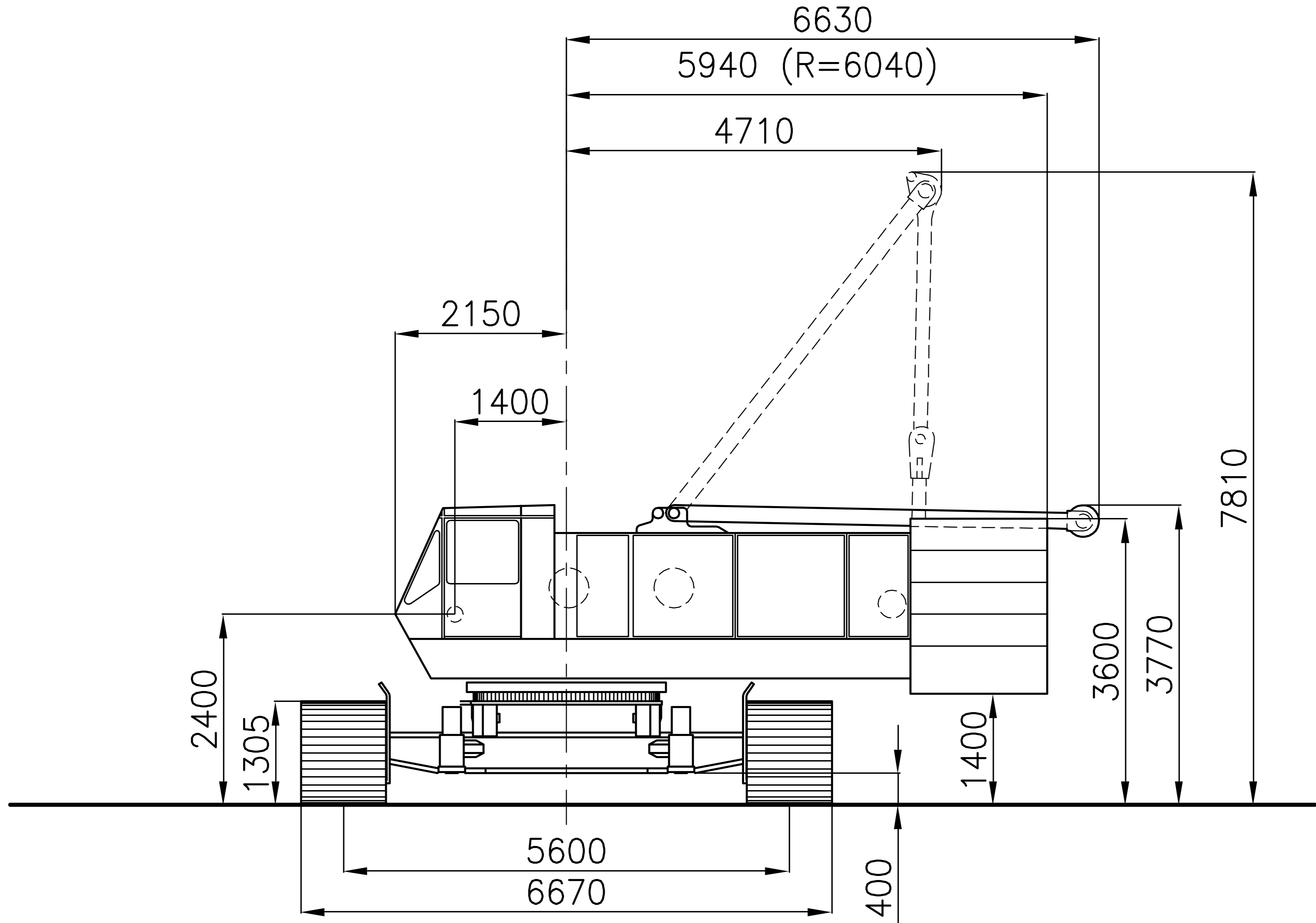
We look forward to providing a full heavy lift engineering and crane solution for your next project. Our heavy lift engineers and on site personnel are experienced in managing and organising highly demanding lift requirements.

Contact us to discuss your lifting requirements and to receive a free quote.

[www.universalcranes.com/contact/](http://www.universalcranes.com/contact/)



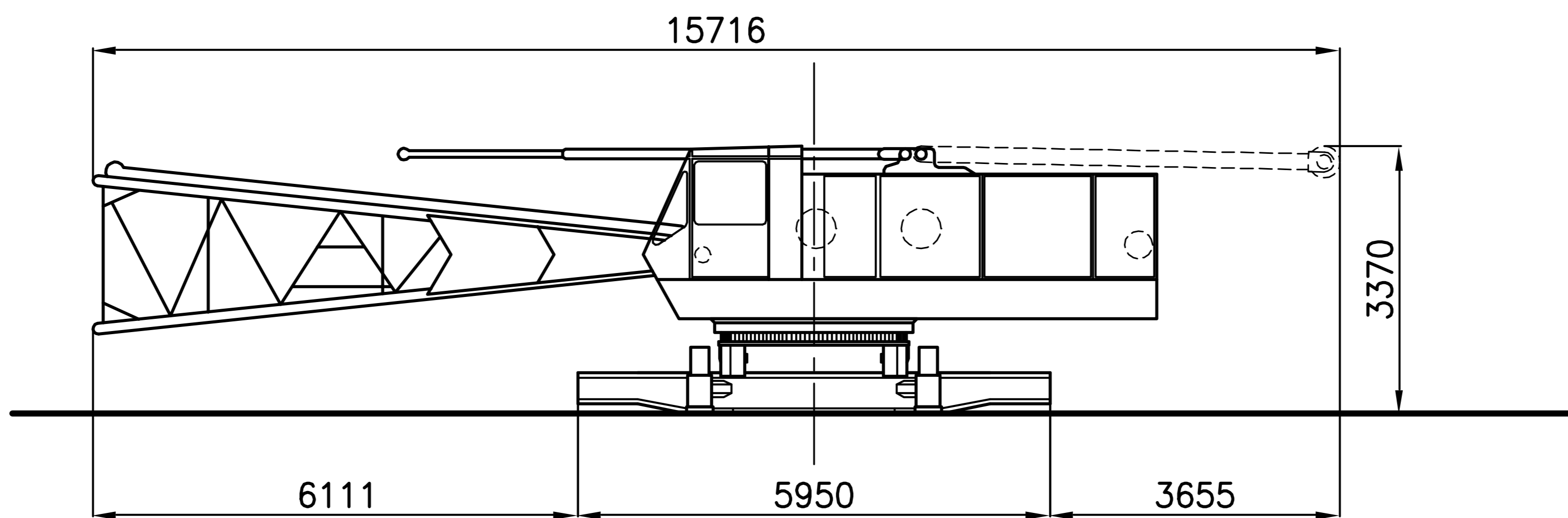
## KOBELCO 7150 150t CRAWLER CRANE



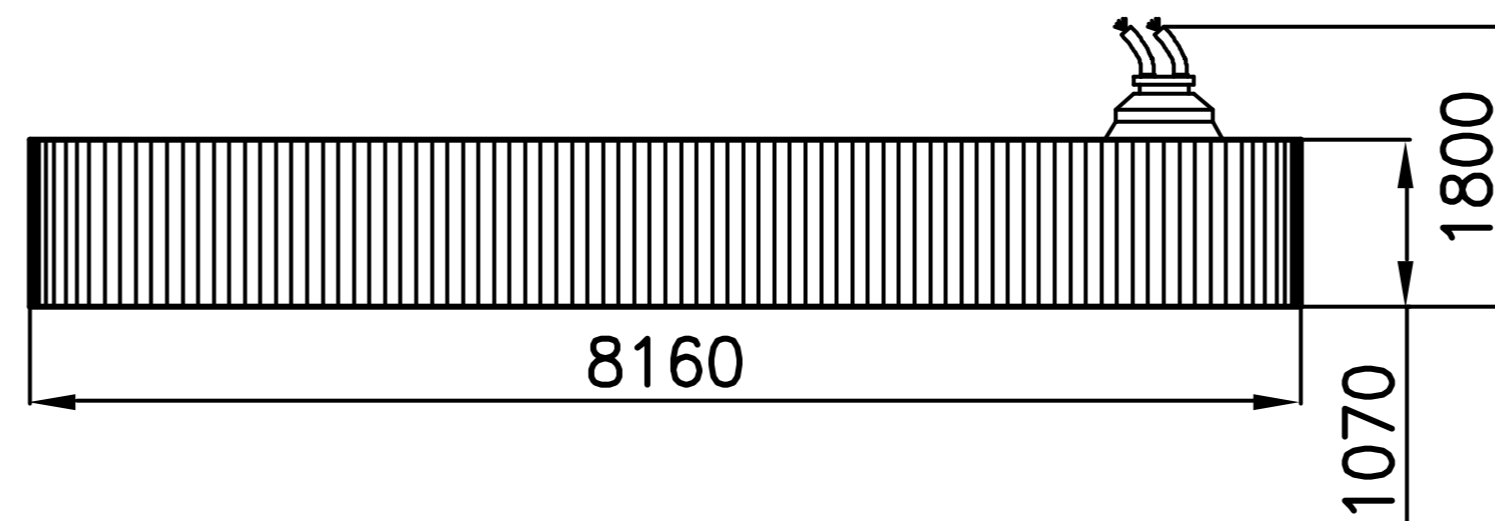
## KOBELCO 7150 DIMENSIONS

Superstructure with carbody		<b>46.8 t</b>
Crawler unit		<b>2 x 20.7 t</b>
Counterweight + central ballast	<b>K 0 428 / 1 328</b>	<b>54 t</b>
	<b>K 0 376</b>	<b>62.3 + 20 t</b>

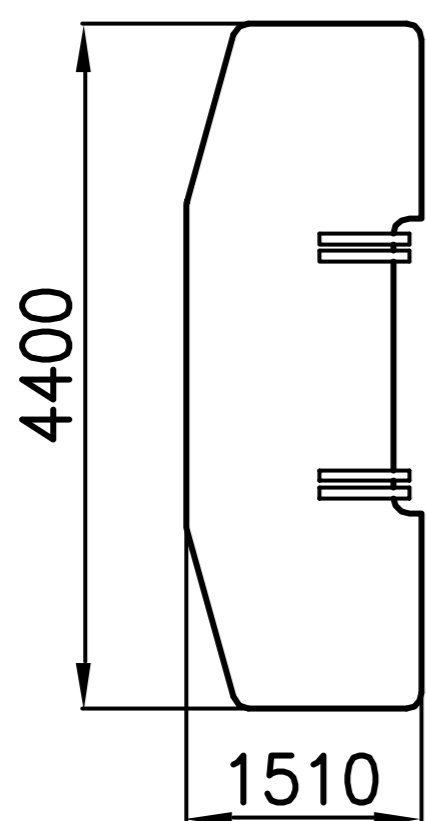
1 x 46.8 t  
15716 x 3250 x 3370



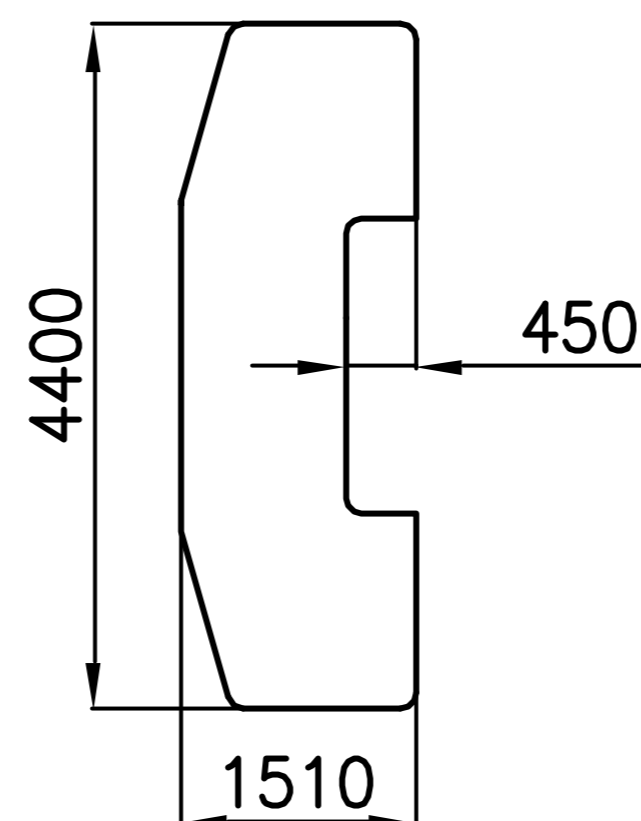
2 x 20.7 t  
8160 x 1800 x 1305



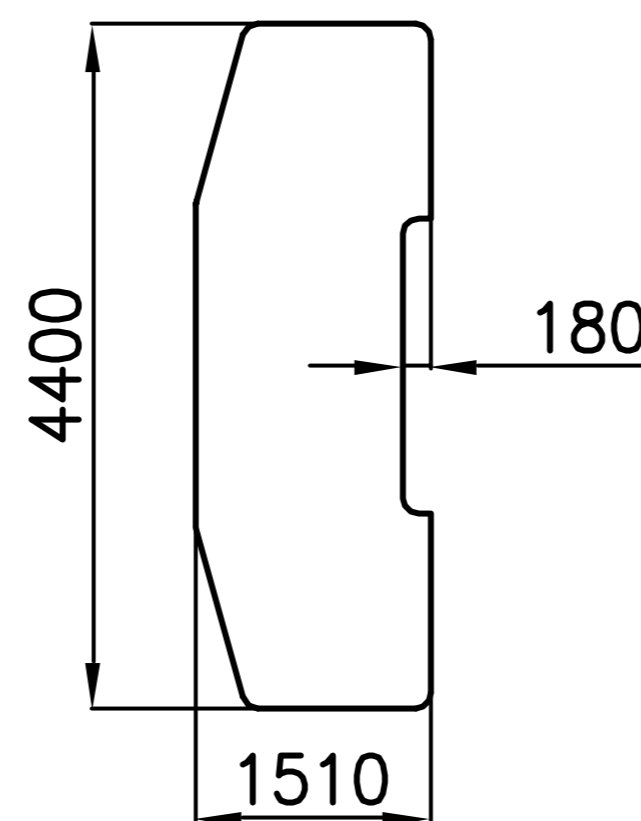
1 x 13.6 t  
1510x4400x950 mm



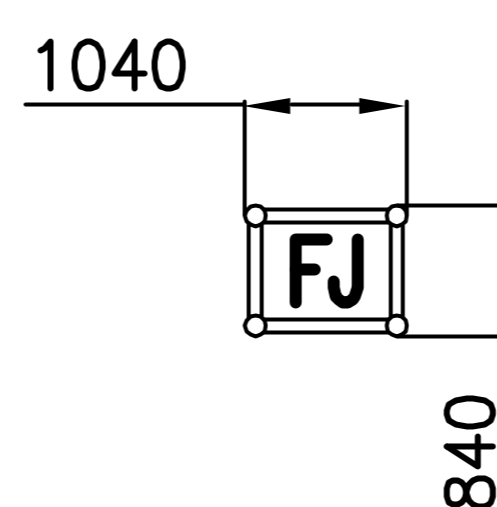
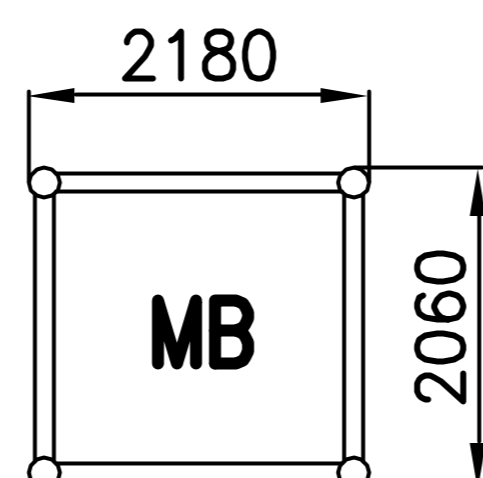
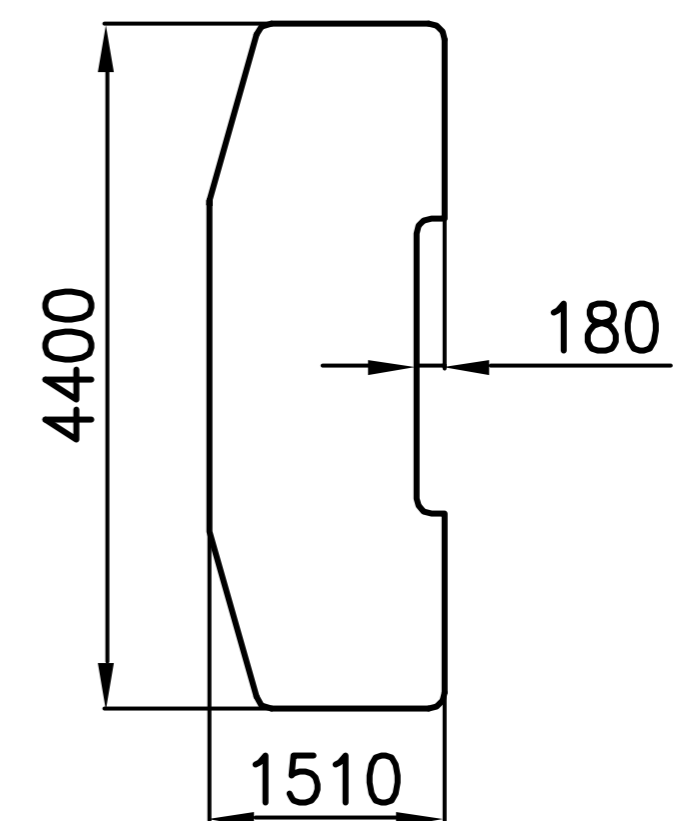
1 x 10.5 t  
1510x4400x400 mm



2 x 10.8 t  
1510x4400x400 mm

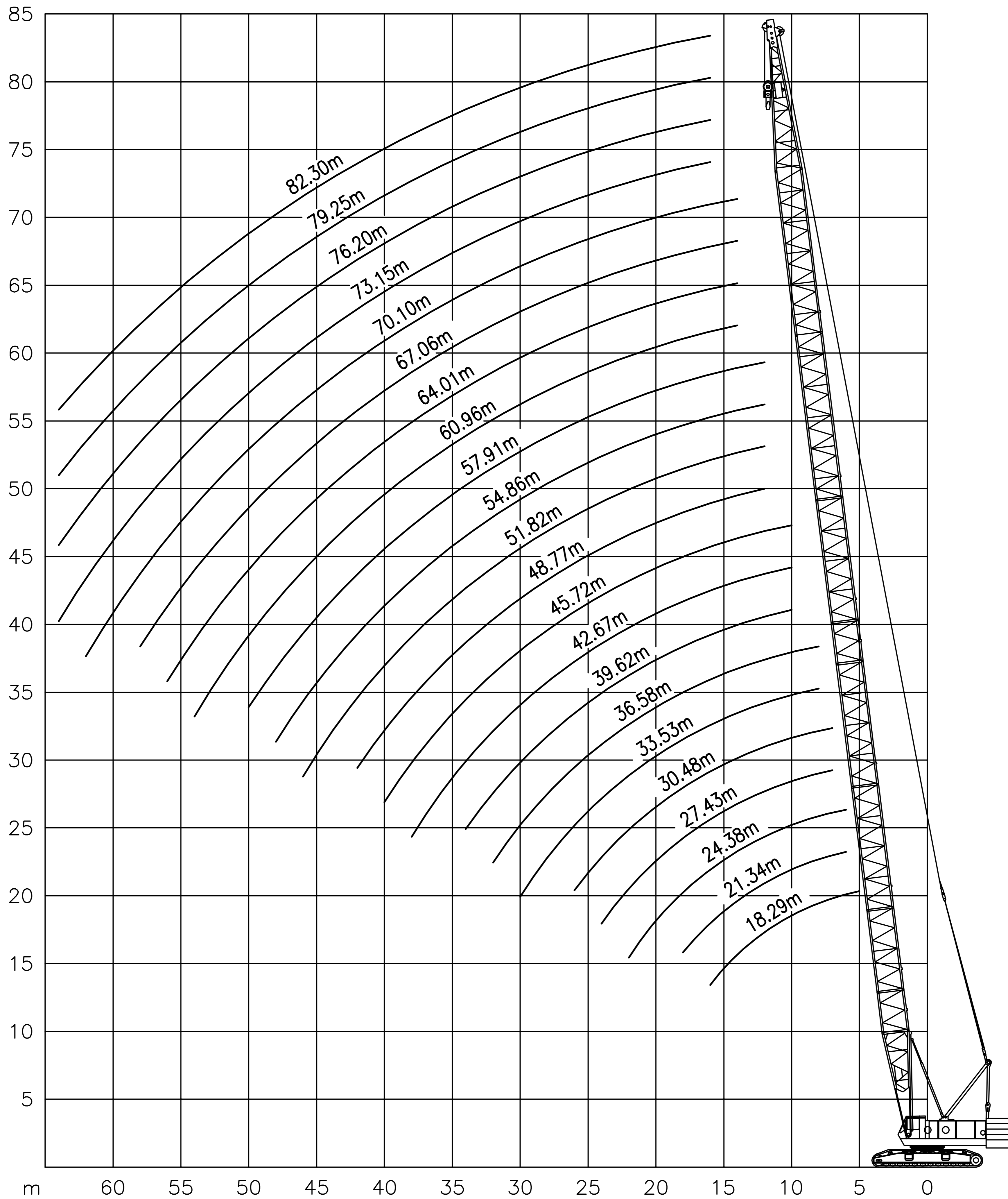


2 x 8.3 t  
1510x4400x400 mm



## KOBELCO 7150 WEIGHTS

## MB

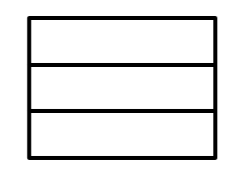


## KOBELCO 7150 MB RANGE

**5.6 m** **62.3 + 20 t****MB****360°****DIN 75 %**

Main Boom (m)

Radius	18.29	21.34	24.38	27.43	30.48	33.53	36.58	39.62	42.67	45.72	48.77	51.82	54.86	57.91	60.96	64.01	67.06	70.10	73.15	76.20	79.25	82.30	
m	t	t	t	t	t	t	t	t	t	t	t	t	t	t	t	t	t	t	t	t	t	t	t
5	150	-	-	-	-	-	-	-	-	-	-	-	-	-	-	-	-	-	-	-	-	-	-
6	140	128.1	116.8	-	-	-	-	-	-	-	-	-	-	-	-	-	-	-	-	-	-	-	-
7	123.6	121.7	111.5	102.5	94.4	-	-	-	-	-	-	-	-	-	-	-	-	-	-	-	-	-	-
8	104.8	104.6	102.3	96.2	90.7	83.8	77.8	-	-	-	-	-	-	-	-	-	-	-	-	-	-	-	-
9	90	90.4	89.8	87.1	79.5	75.2	69.6	-	-	-	-	-	-	-	-	-	-	-	-	-	-	-	-
10	78.4	79.3	79.1	78.5	75.6	72.7	69.4	66.5	62.3	57.8	-	-	-	-	-	-	-	-	-	-	-	-	-
12	61.1	92.9	63.4	63.3	62.6	61.8	59.3	56.8	54.7	52.2	50.2	46.9	43.5	40	-	-	-	-	-	-	-	-	-
14	48.5	51.2	52.3	52.6	52.3	51.8	51.1	49.5	47.7	45.5	43.8	41.8	40.3	38.1	37	36.2	33.5	30.3	-	-	-	-	-
16	38.4	42.1	43.9	44.4	44.2	44	43.7	43.3	42.1	40.2	38.7	36.9	35.6	33.8	35.6	35.2	32.7	29.6	27.1	25	22.8	20.3	
18	-	34.6	37.1	38.2	37.9	37.7	37.5	37.4	37.1	36	34.7	33	31.8	30.2	32.9	33.7	31.3	28.8	26.4	24.4	22.1	19.7	
20	-	-	31.3	32.9	33.1	32.9	32.7	32.5	32.3	32.2	31.2	29.8	28.7	27.2	29.5	31.8	30.5	27.6	25.7	23.8	21.6	19.2	
22	-	-	26	28.3	29.3	29.1	28.9	28.7	28.5	28.4	28.1	27.1	26	24.7	26.6	27.9	27.9	26.8	24.6	22.7	21	18.6	
24	-	-	-	24.1	25.5	23.1	25.8	25.7	25.4	25.3	25	24.7	23.8	22.5	24.2	24.7	24.7	24.7	23.9	22.1	19.6	18	
26	-	-	-	-	22.1	23.2	23.3	23.1	22.9	22.7	22.5	22.3	21.8	20.7	22	22.1	22.1	22.1	21.8	21.5	19.4	17.3	
28	-	-	-	-	-	20.3	21	21	20.8	20.6	20.3	20.2	19.9	19	20.1	19.9	19.9	19.8	19.6	19.5	18.8	16.6	
30	-	-	-	-	-	17.6	18.6	19.1	18.9	18.8	18.5	18.4	18.1	17.5	18.3	18	18	18	17.7	17.6	17.4	15.8	
32	-	-	-	-	-	-	16.3	17.1	17.4	17.2	16.9	16.8	16.5	16.1	16.6	16.4	16.4	16.3	16.1	15.9	15.7	14.9	
34	-	-	-	-	-	-	-	15.1	15.7	15.9	15.6	15.4	15.1	14.9	15.2	15	15	14.9	14.6	14.5	14.3	13.7	
36	-	-	-	-	-	-	-	-	14	14.4	14.4	14.2	13.9	13.8	14	13.7	13.7	13.7	13.4	13.3	13.1	12.7	
38	-	-	-	-	-	-	-	-	-	12.3	12.9	13.1	13.2	12.9	12.7	12.9	12.6	12.6	12.6	12.3	12.2	11.7	
40	-	-	-	-	-	-	-	-	-	-	11.5	11.8	12	11.9	11.7	11.9	11.6	11.6	11.6	11.3	11.2	10.9	
42	-	-	-	-	-	-	-	-	-	-	-	10.5	10.8	10.8	10.7	11.1	10.8	10.8	10.7	10.4	10.3	10.1	
44	-	-	-	-	-	-	-	-	-	-	-	-	9.7	9.8	9.7	10.3	10	10	9.9	9.6	9.5	9.2	
46	-	-	-	-	-	-	-	-	-	-	-	-	-	8.6	8.8	8.8	9.6	9.3	9.3	9.2	8.9	8.6	
48	-	-	-	-	-	-	-	-	-	-	-	-	-	-	7.8	7.9	8.9	8.6	8.6	8.5	8.2	7.8	
50	-	-	-	-	-	-	-	-	-	-	-	-	-	-	-	7	8.3	8	8	7.9	7.6	7.2	
52	-	-	-	-	-	-	-	-	-	-	-	-	-	-	-	-	7.8	7.5	7.5	7.4	7.1	6.8	
54	-	-	-	-	-	-	-	-	-	-	-	-	-	-	-	-	7.3	7	7	6.9	6.6	6.1	
56	-	-	-	-	-	-	-	-	-	-	-	-	-	-	-	-	-	6.5	6.5	6.4	6.1	5.6	
58	-	-	-	-	-	-	-	-	-	-	-	-	-	-	-	-	-	-	6.1	6	5.6	5.1	
60	-	-	-	-	-	-	-	-	-	-	-	-	-	-	-	-	-	-	-	5.5	5.2	4.7	
62	-	-	-	-	-	-	-	-	-	-	-	-	-	-	-	-	-	-	-	5.1	4.7	4.3	
64	-	-	-	-	-	-	-	-	-	-	-	-	-	-	-	-	-	-	-	-	4.3	3.7	

**5.6 m** **54 t****MB****360°****DIN 75 %**

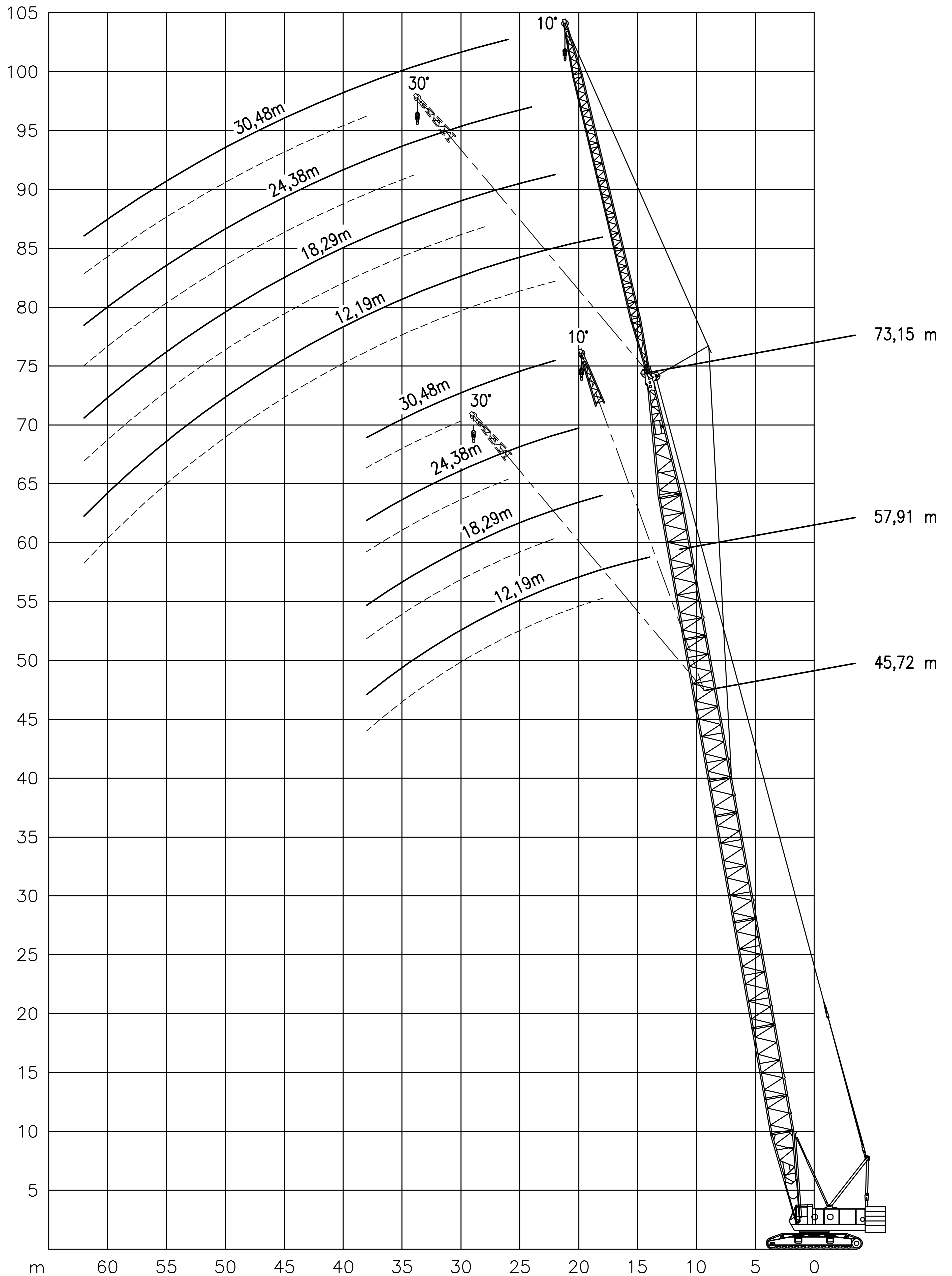
Main Boom (m)

Radius	18.29	21.34	24.38	27.43	30.48	33.53	36.58	39.62	42.67	45.72	48.77	51.82	54.86	57.91	60.96	64.01	67.06	70.10	73.15	76.20	79.25	82.30	
m	t	t	t	t	t	t	t	t	t	t	t	t	t	t	t	t	t	t	t	t	t	t	t
5	150	-	-	-	-	-	-	-	-	-	-	-	-	-	-	-	-	-	-	-	-	-	-
6	140	128.1	116.8	-	-	-	-	-	-	-	-	-	-	-	-	-	-	-	-	-	-	-	-
7	123.6	121.7	111.5	102.5	94.4	-	-	-	-	-	-	-	-	-	-	-	-	-	-	-	-	-	-
8	99.1	98.8	98.7	96.2	90.7	83.8	77.8	-	-	-	-	-	-	-	-	-	-	-	-	-	-	-	-
9	82.5	82.3	82.2	82	81.8	78.8	75.2	69.6	-	-	-	-	-	-	-	-	-	-	-	-	-	-	-
10	70.5	70.3	70.2	70.1	69.9	69.8	69.2	66.5	62.3	57.8	-	-	-	-	-	-	-	-	-	-	-	-	-
12	54.6	54.3	54.2	54	53.8	53.7	53.5	53.3	53.2	52.2	49.6	46.9	43.5	40	-	-	-	-	-	-	-	-	-
14	44.5	44.2	44	43.9	43.6	43.5	43.2	43.1	42.9	42.7	42.6	41.8	40.3	38.1	37	36.2	33.5	30.3	-	-	-	-	-
16	37.5	37.1	37	36.8	36.5	36.4	36.1	35.9	35.8	35.6	35.5	35.2	35.1	33.8	35.6	35.2	32.7	29.6	27.1	25	22.8	20.3	
18	-	32	31.8	31.6	31.3	31.1	30.8	30.7	30.6	30.4	30.2	30	29.8	29.6	30.3	30.1	30.1	28.8	26.4	24.4	22.1	19.7	
20	-	-	27.8	27.6	27.3	27.1	26.8	26.7	26.5	26.3	26.2	25.9	25.7	25.5	26.2	25.9	25.9	25.9	25.7	23.8	21.6	19.2	
22	-	-	24.7	24.4	24.2	24	23.7	23.5	23.4	23.1	23	22.8	22.5	22.3	22.9	22.6	22.7	22.6	22.4	22.3	21	18.6	
24	-	-	-	21.9	21.6	21.4	21.1	20.9	20.8	20.6	20.4	20.2	19.9	19.7	20.2	20	20	20	19.7	19.6	19.4	18	
26	-	-	-	-	19.5	19.3	19	18.8	18.7	18.4	18.2	18	17.7	17.6	18	17.8	17.8	17.7	17.5	17.4	17.2	16.7	
28	-	-	-	-	-	17.5	17.2	17	16.9	16.6	16.4	16.2	15.9	15.8	16.2	15.9	15.9	15.9	15.6	15.5	15.3	15.2	
30	-	-	-	-	-	16.1	15.7	15.5	15.4	15.1	14.9	14.7	14.4	14.3	14.6	14.3	14.3	14.3	14	13.9	13.7	13.6	
32	-	-	-	-	-	-	14.4	14.2	14	13.8	13.6	13.4	13.1	12.9	13.2	13	13	12.9	12.6	12.5	12.3	12.3	
34	-	-	-	-	-	-	-	13.1	12.9	12.7	12.5	12.2	11.9	11.8	12	11.8	11.8	11.7	11.4	11.3	11.1	11.1	
36	-	-	-	-	-	-	-	-	11.9	11.7	11.5	11.2	10.9	10.8	11	10.7	10.7	10.7	10.4	10.3	10.1	10	
38	-	-	-	-	-	-	-	-	-	11.1	10.8	10.6	10.3	10.1	9.9	10.1	9.8	9.8	9.5	9.3	9.1	9.1	
40	-	-	-	-	-	-	-	-	-	-	10.1	9.8	9.6	9.3	9.1	9.3	9	9	8.6	8.5	8.3	8.2	
42	-	-	-	-	-	-	-	-	-	-	-	9.1	8.9	8.6	8.4	8.5	8.2	8.2	8.2	7.9	7.8	7.5	
44	-	-	-	-	-	-	-	-	-	-	-	-	8.2	7.9	7.7	7.9	7.6	7.6	7.5	7.2	7.1	6.8	
46	-	-	-	-	-	-	-	-	-	-	-	-	-	7.7	7.4	7.2	7.3	7	7	6.9	6.6	6.1	
48	-	-	-	-	-	-	-	-	-	-	-	-	-	-	6.9	6.6	6.7	6.4	6.4	6.4	6	5.6	
50	-	-	-	-	-	-	-	-	-	-	-	-	-	-	-	6.2	6.2	5.9	5.9	5.5	5.3	4.9	
52	-	-	-	-	-	-	-	-	-	-	-	-	-	-	-	-	5.8	5.4	5.4	5.3	4.9	4.5	
54	-	-	-	-	-	-	-	-	-	-	-	-	-	-	-	-	-	5.4	5	4.8	4.4	3.8	
56	-	-	-	-	-	-	-	-	-	-	-	-	-	-	-	-	-	-	4.5	4.4	4	3.4	
58	-	-	-	-	-	-	-	-	-	-	-	-	-	-	-	-	-	-	-	4.1	3.6	3.1	
60	-	-	-	-	-	-	-	-	-	-	-	-	-	-	-	-	-	-	-	-	3.6	2.7	
62	-	-	-	-	-	-	-	-	-	-	-	-	-	-	-	-	-	-	-	-	-	2.5	

# KOBELCO 7150


## MB CAPAC

## FJ



## KOBELCO 7150 FJ RANGE

 5.6 m

 54 t

FJ

360°

DIN/ISO 75 %

Main Boom	Radius	Fixed fly jib							
		12.19 m		18.29 m		24.38 m		30.48 m	
		10°	30°	10°	30°	10°	30°	10°	30°
n	t	t	t	t	t	t	t	t	
45.72 m	14	15	-	-	-	-	-	-	-
	16	15	-	-	-	-	-	-	-
	18	15	13	12	-	-	-	-	-
	20	15	13	12	-	8	-	-	-
	22	15	13	12	8	8	-	4	-
	24	15	13	12	8	8	-	4	-
	26	15	13	12	8	7.8	6	4	-
	28	15	12.6	12	8	7.6	6	4	-
	30	15	12.3	12	8	7.4	6	4	3
	34	12.7	11.5	11.5	8	7.1	6	4	3
38	10.8	10.8	10.6	7.6	6.7	5.7	3.7	3	
57.91 m	16	15	-	-	-	-	-	-	-
	18	15	-	-	-	-	-	-	-
	20	15	13	12	-	-	-	-	-
	22	15	13	12	-	8	-	-	-
	24	15	13	12	8	8	-	4	-
	26	15	13	12	8	8	-	4	-
	28	15	13	12	8	8	6	4	-
	30	14.3	13	12	8	8	6	4	-
	34	11.8	11.8	11.8	8	7.6	6	4	3
	38	9.9	9.9	9.9	8	7.2	6	4	3
	42	8.4	8.4	8.4	7.7	6.8	5.7	3.9	3
	46	7.2	7.2	7.2	7.2	6.4	5.4	3.6	2.9
50	6.2	6.2	6.2	6.2	6	5.1	3.3	2.8	
73.15 m	18	15	-	-	-	-	-	-	-
	20	15	-	-	-	-	-	-	-
	22	15	13	12	-	-	-	-	-
	24	15	13	12	-	8	-	-	-
	26	15	13	12	-	8	-	4	-
	28	15	13	12	8	8	-	4	-
	30	14	13	12	8	8	-	4	-
	34	11.4	11.4	11.4	8	8	6	4	-
	38	9.5	9.5	9.5	8	7.7	6	4	3
	42	7.9	7.9	7.9	7.8	7.4	6	4	3
	46	6.6	6.6	6.6	6.6	6.6	5.6	4	3
	50	5.5	5.5	5.5	5.5	5.5	5.1	3.7	3
	54	4.4	4.4	4.4	4.4	4.4	4.4	3.5	2.8
	58	3.6	3.6	3.6	3.6	3.6	3.6	3.2	2.7
62	2.8	2.8	2.8	2.8	2.8	2.8	2.8	2.5	

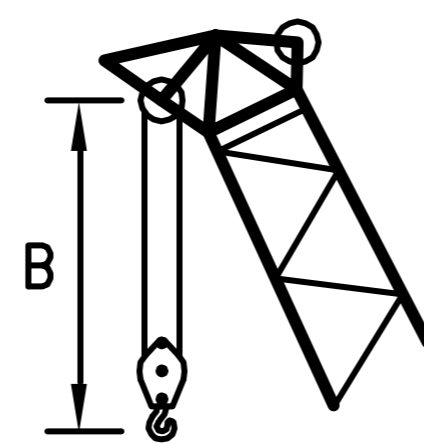
## KOBELCO 7150

### FJ CAPACITIES



## Working speeds

Mechanisms	Speeds	Rope diameter	Single line pull	Rope length
Main hoist	0 – 90 m/min	26 mm	107,9 kN	370 m
Auxiliary	0 – 90 m/min	26 mm	107,9 kN	290 m
Boom hoist	0 – 25 m/min	20 mm		290 m
Slewing gear	0 – 1,1 / 2,2 RPM			
Travel speed low / high	0 – 0,6 / 1,2 km/h			



## Hook block/Crane hook

Capacity	Number of sheaves	Number of lines	Weight	"B"
SWL 150 t	7	15	2200 kg	2,50 m
SWL 65 t	3	7	1100 kg	2,50 m
SWL 25 t	1	3	700 kg	2,50 m
SWL 12 t	–	1	450 kg	2,50 m